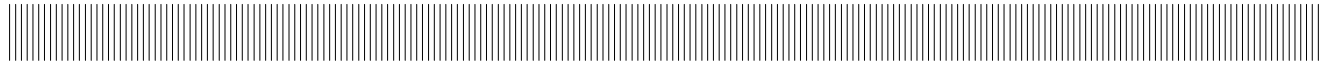


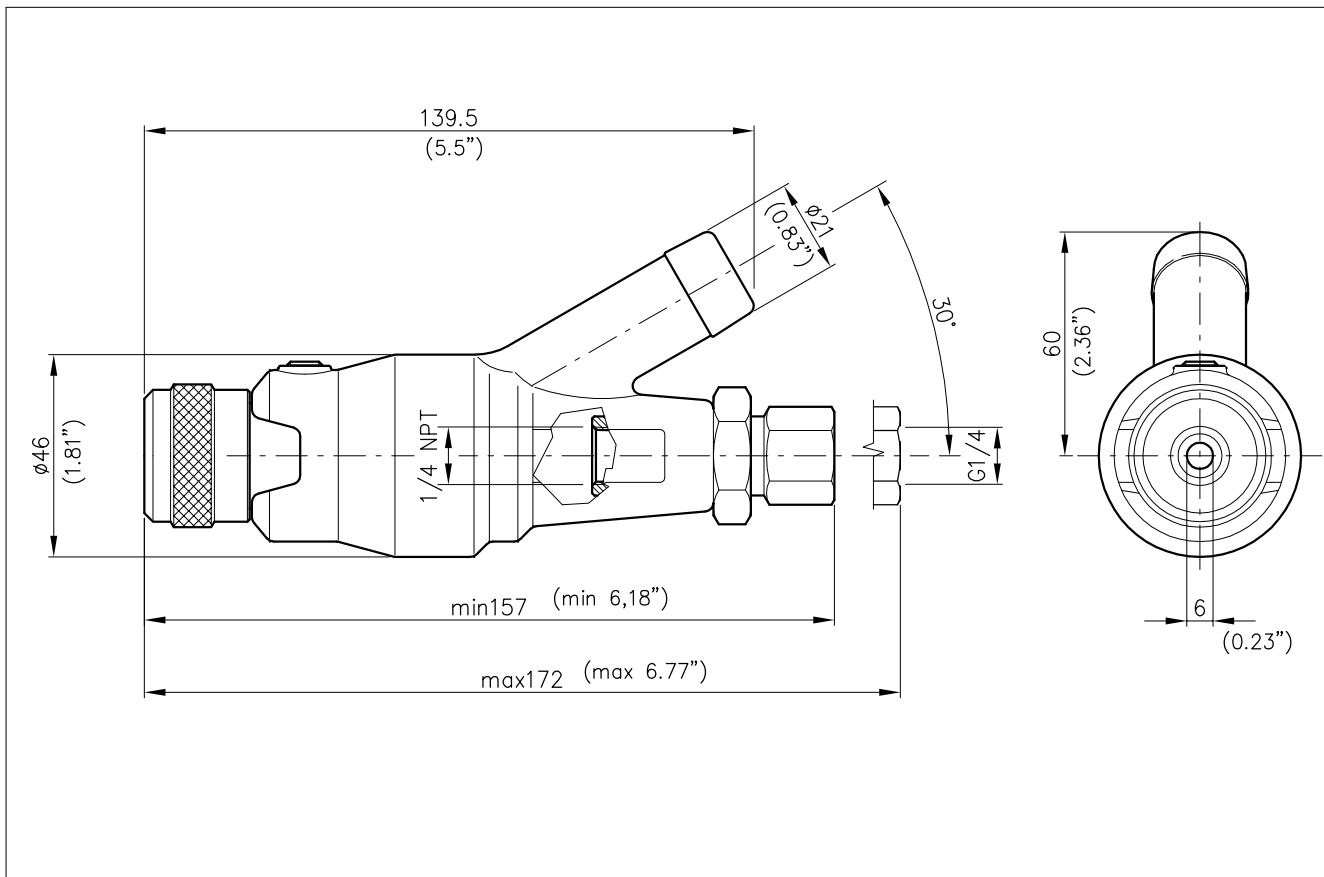
	EQUIPAGGIAMENTI TECNICI LAVAGGIO	25.0460.00 TESTINA SABBIANTE TS 12 RC SAND BLASTING HEAD TS 12 RC	①	<div style="border: 2px solid black; padding: 2px; display: inline-block;">4</div>
			Ⓜ GB	



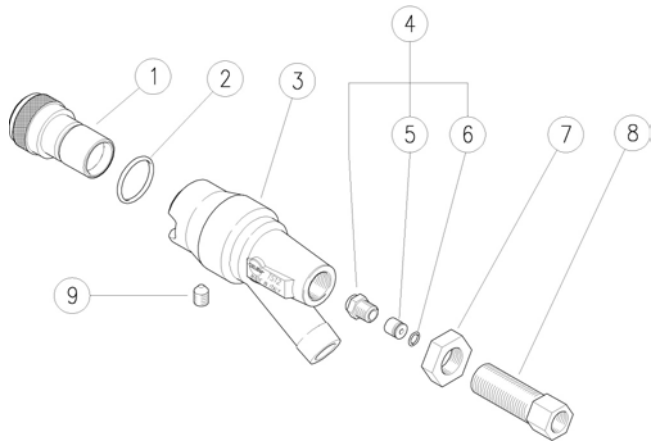
## CARATTERISTICHE TECNICHE SPECIFICATIONS

- PRESSIONE NOMINALE RATED PRESSURE	500 bar – 50 MPa (7250 psi)
- PRESSIONE CONSENTITA PERMISSIBLE PRESSURE	560 bar – 56 MPa (8100 psi)
- PORTATA MASSIMA MAX FLOW RATE	80 l/min (21 USG p.m.)
- TEMPERATURA MASSIMA MAX WORKING TEMPERATURE	90° C (195°F)
- UGELLO NOZZLE	1/4 NPT GETTO RETTILINEO + convogliatore di flusso SOLID JET + inner conveyor
- MATERIALI MATERIALS	CORPO E PROLUNGA IN ACCIAIO TEMPRATO E NICKELATO CON CONVOGLIATORE INTERNO IN CARBURO DI TUNGSTENO AD ALTA RESISTENZA. BODY & EXTENSION IN TEMPERED, NICKEL GALVANISED STEEL WITH HIGHLY RESISTANT INNER CONVEYOR IN TUNGSTEN CARBIDE.

## MISURE D'INGOMBRO OVERALL DIMENSIONS



## 25.0460.00 TS12RC Sandbl.500bar-solid stream



Pos.	P/N	Description	Q.ty	K1	K2	K3	K4	
1	25.0462.24R	Conveyor nozzle	1					2
2	10.3200.10R	O-ring, 2,62x23,47 mm Vi 70	1					10
3	25.0451.62R	Housing -TS12	1					1
4	16.1401.40	Nzl 500bar 1/4M Npt+guid.vane00.04 **	1					2
4	16.1401.50	Nzl 500bar 1/4M Npt+guid.vane00.05 **	1					2
4	16.1401.55	Nzl 500bar 1/4M Npt+guid.vane00.055 **	1					2
5	25.0506.51R	Sst guid.vane **	1					3
6	10.3002.01R	O-ring, 1x5 mm Ni 85 **	1					10
7	11.4850.00R	Hex. nut, M18	1					10
8	25.0504.51R	Regulator, 1/4F Bsp-1/4 F Npt Sst.	1					1
9	16.2221.00R	Set screw, DIN914 M8x8 mm Sst.	1					10

\*\* On request