



EQUIPAGGIAMENTI
TECNICI
LAVAGGIO

25.0450.00
TESTINA SABBIANTE TS12
SAND BLASTING HEAD TS12

I
GB

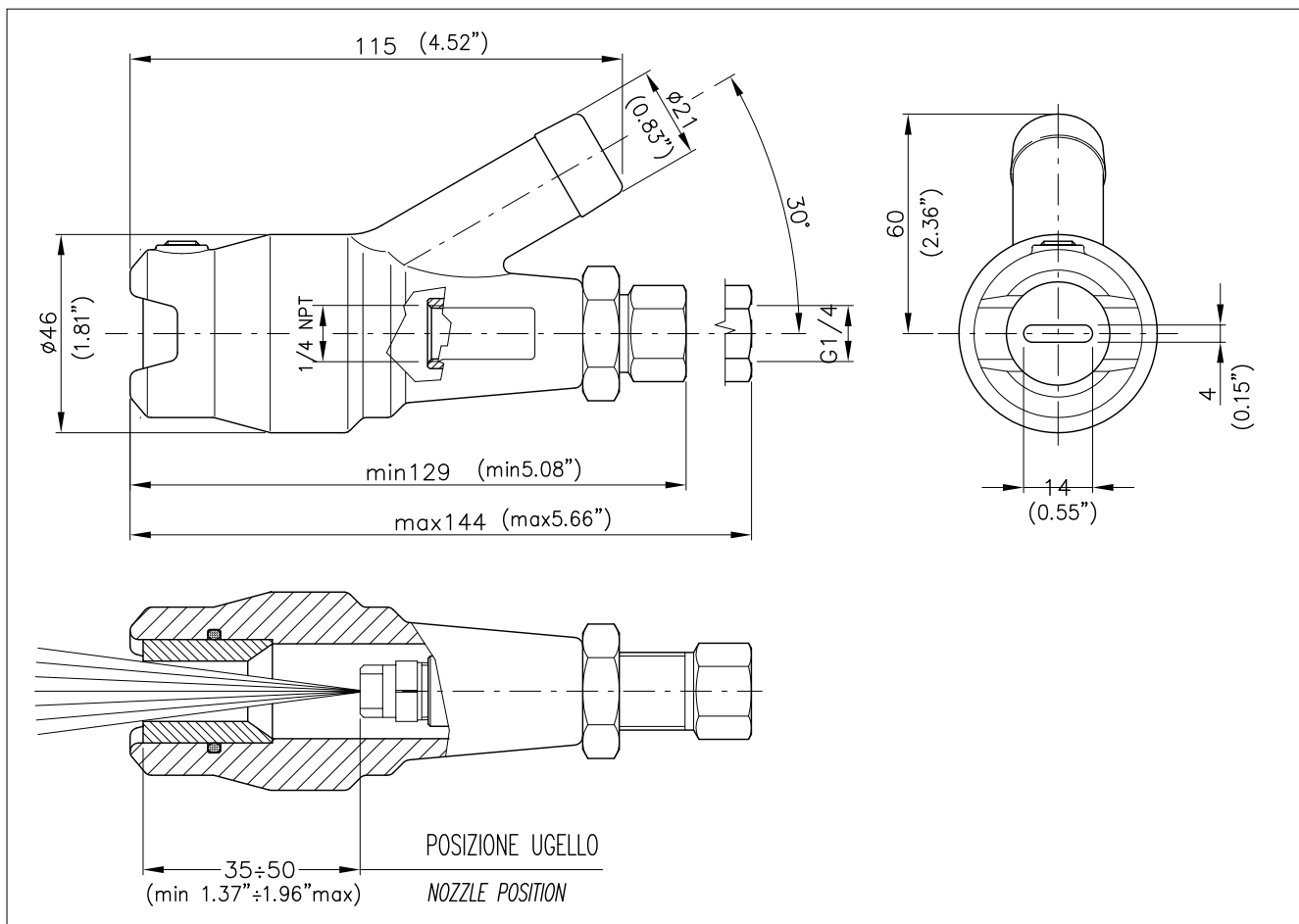
4

23/09/05

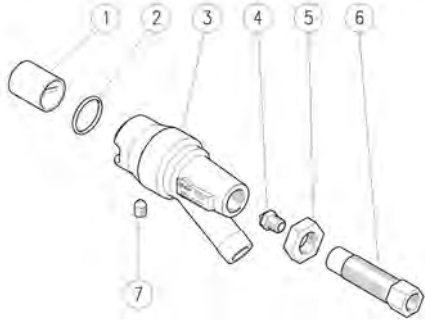
CARATTERISTICHE TECNICHE SPECIFICATIONS

- PRESSIONE NOMINALE RATED PRESSURE	500 bar – 50 MPa (7250 psi)
- PRESSIONE CONSENTITA PERMISSIBLE PRESSURE	560 bar – 56 MPa (8100 psi)
- PORTATA MASSIMA MAX FLOW RATE	80 l/min (21 USG p.m.)
- TEMPERATURA MASSIMA MAX WORKING TEMPERATURE	90° C (195°F)
- UGELLO NOZZLE	1/4 NPT 15° GETTO PIATTO FLAT JET
- MATERIALI MATERIALS	CORPO IN ACCIAIO TEMPRATO E NICKELATO CON CONVOGLIATORE INTERNO IN CARBURO DI TUNGSTENO AD ALTA RESISTENZA. TEMPERED, NICKEL GALVANISED STEEL BODY WITH HIGHLY RESISTANT INNER CONVEYOR IN TUNGSTEN CARBIDE.

MISURE D'INGOMBRO OVERALL DIMENSIONS



25.0450.00 TS12 Sandbl.500bar-flat jet



Pos.	P/N	Description	Q.ty	K1	K2	K3	K4	
1	25.0501.71R	Sintered insert -TS12	1					2
2	10.3200.10R	O-ring, 2,62x23,47 mm Vi 70	1					10
3	25.0451.62R	Housing -TS12	1					1
4	16.1415.40	Sst nozzle 500bar 1/4M Npt -15.04 **	1					2
4	16.1415.50	Nzl 500bar 1/4M Npt+guid.vane15.05 **	1					2
4	16.1415.55	Nzl 500bar 1/4M Npt - 15.055 **	1					2
4	16.1415.80	Nzl 500bar 1/4M Npt+guid.vane15.08 **	1					2
4	16.1415.90	Nzl 500bar 1/4M Npt+guid.vane15.09 **	1					2
5	11.4850.00R	Hex. nut, M18	1					10
6	25.0505.51R	Regulator, 1/4F Bsp-1/4 F Npt Sst.	1					2
7	16.2221.00R	Set screw, DIN914 M8x8 mm Sst.	1					10

** On request