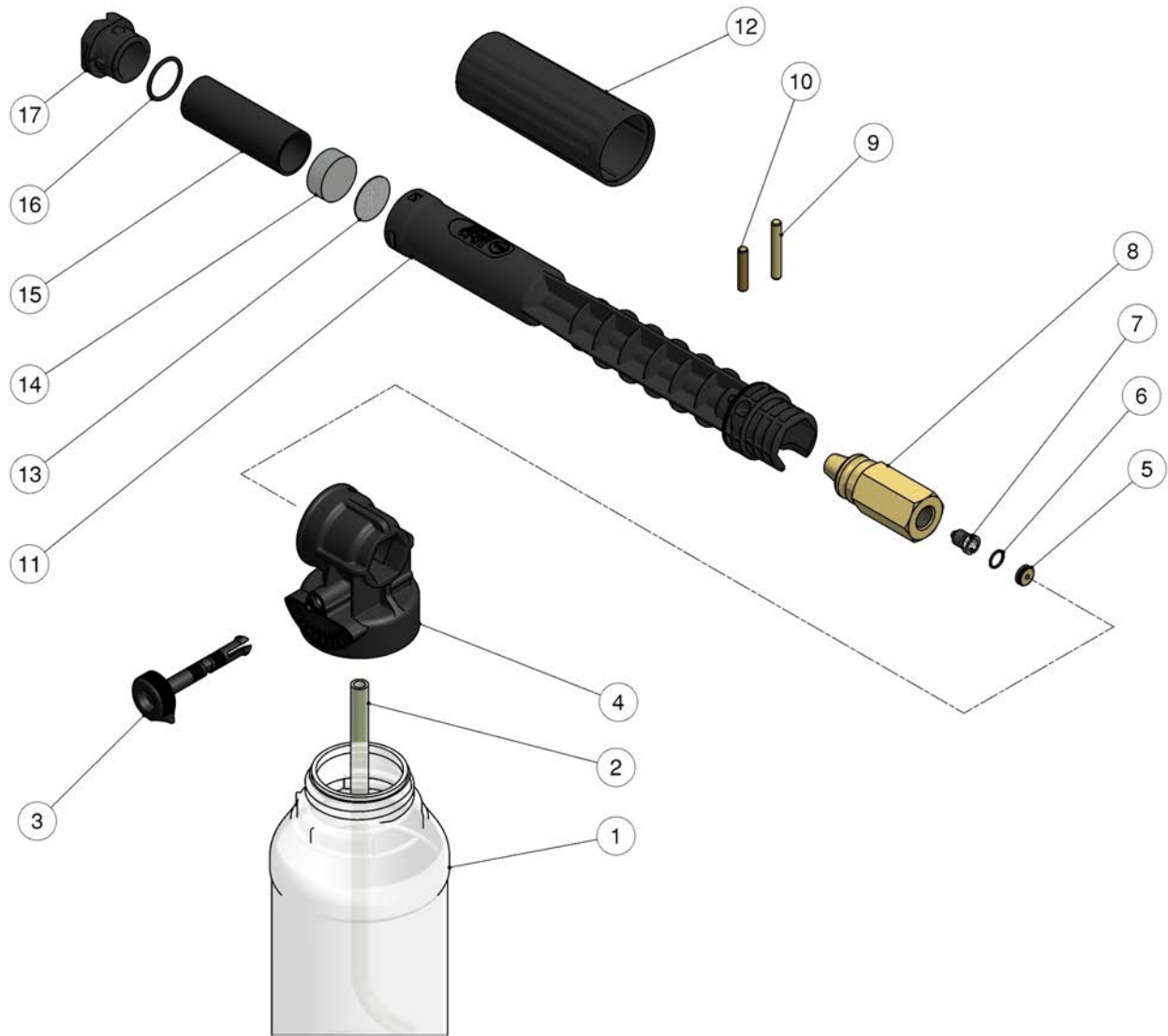


25.1840.21 LS12 Foamer 2,1mm+1L tank  
 25.1840.65 LS12 Foamer 1,5mm+1L tank v.2  
 25.1840.71 LS12 Foamer 2,1mm+1L tank v.2

25.1842.15 LS12 Foamer 1,5mm+2L tank  
 25.1842.65 LS12 Foamer 1,5mm+2L tank



Pos.	P/N	Description	Q.ty	K1	K2	K3	K4		Pos.	P/N	Description	Q.ty	K1	K2	K3	K4	
1	14.6506.25R	Tank,L.1,0 round-45mm inlet (v.2)	1					10	8	25.1841.31R	Injector housing -LS12	1					3
1	14.6507.00R	Tank,L.2,0 round-45 mm inlet (1,2)	1					10	9	30.6416.31R	Parallel pin, 5x34 mm brass	1					5
2	29.0822.85R	Hose, 6x9x230mm PVC transp.	1					10	10	30.0509.31R	Parallel pin, 5x24,5 mm brass	1					10
2	29.0852.85R	Hose, 6x9x270 mm PVC transp. (1,2)	1					10	11	25.1801.85R	Lance housing -LS12 v.2	1					5
3	25.1817.84R	Detergent Adjusting Pin	1					10	12	25.1805.84R	Knob -LS12 (3,1)	1					5
4	25.1816.84R	Tank holder	1					5	12	25.1805.85R	Knob -LS12 v.2	1					5
5	25.0085.31R	Nozzle insert	1					10	13	29.0802.53R	Diaphragm, 25x0,5 mm Sst.	1					10
5	25.1811.31R	Nozzle insert (3)	1					10	14	25.1806.51R	Pressed strainer,25x10mm Sst.	1					10
6	10.3003.00R	O-ring, 1x8 mm	1					10	15	25.1831.85R	Spacer ring -LS12	1					5
7	21.0007.51R	Nozzle, M8x1 - 1,5 mm Sst.	1					10	16	10.3072.10R	O-ring, 1,78x20,35 mm Vi 70	1					10
7	21.0004.51R	Nozzle, M8x1 - 2,1 mm Sst. (3)	1					10	17	25.1802.85R	Front nozzle -LS10-12 black v.2	1					10

(1) 25.1842.15 (2) 25.1842.65 (3) 25.1840.21