



EQUIPAGGIAMENTI
TECNICI
LAVAGGIO

25.1530.18
LANCIA SCHIUMA ASPIRAZIONE ESTERNA LS3
FOAM INJECTOR LS3 EXTERNAL SUCTION



4

06/06/13

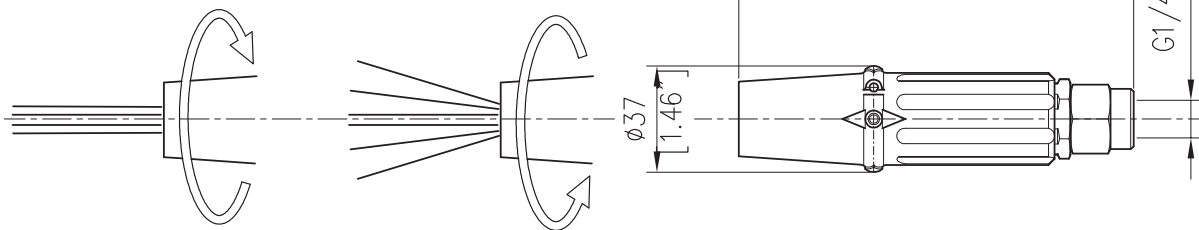
- REGOLATORE MICROMETRICO PER UN DOSAGGIO PRECISO
MICROMETRICAL REGULATOR FOR CORRECT DOSING
- ASPIRAZIONE ARIA LATO ANTERIORE
FRONT SIDE AIR INTAKE
- ROBUSTA COSTRUZIONE IN OTTONE E ACCIAIO INOX
STRONG BRASS & SST STRUCTURE
- CAPPUCCIO A TENUTA PER EVITARE IL RITORNO DI SCHIUMA
SEALED CAP TO PREVENT FOAM RETURN

SPECIFICHE TECNICHE TECHNICAL SPECIFICATION

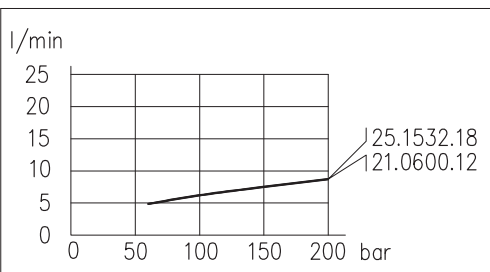
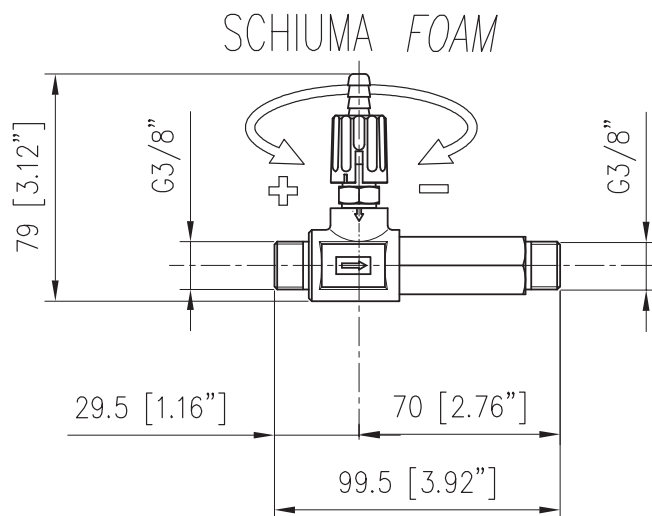
- PRESSIONE NOMINALE RATED PRESSURE	160 bar – 16 MPa (2300 psi)
- PRESSIONE CONSENTITA PERMISSIBLE PRESSURE	180 bar – 18 MPa (2600 psi)
- PORTATA MASSIMA MAX FLOW RATE	VEDI DIAGRAMMA SEE CHART BELOW
- TEMPERATURA MASSIMA MAX WORKING TEMPERATURE	60° C (140 °F)

MISURE D'INGOMBRO OVERALL DIMENSIONS

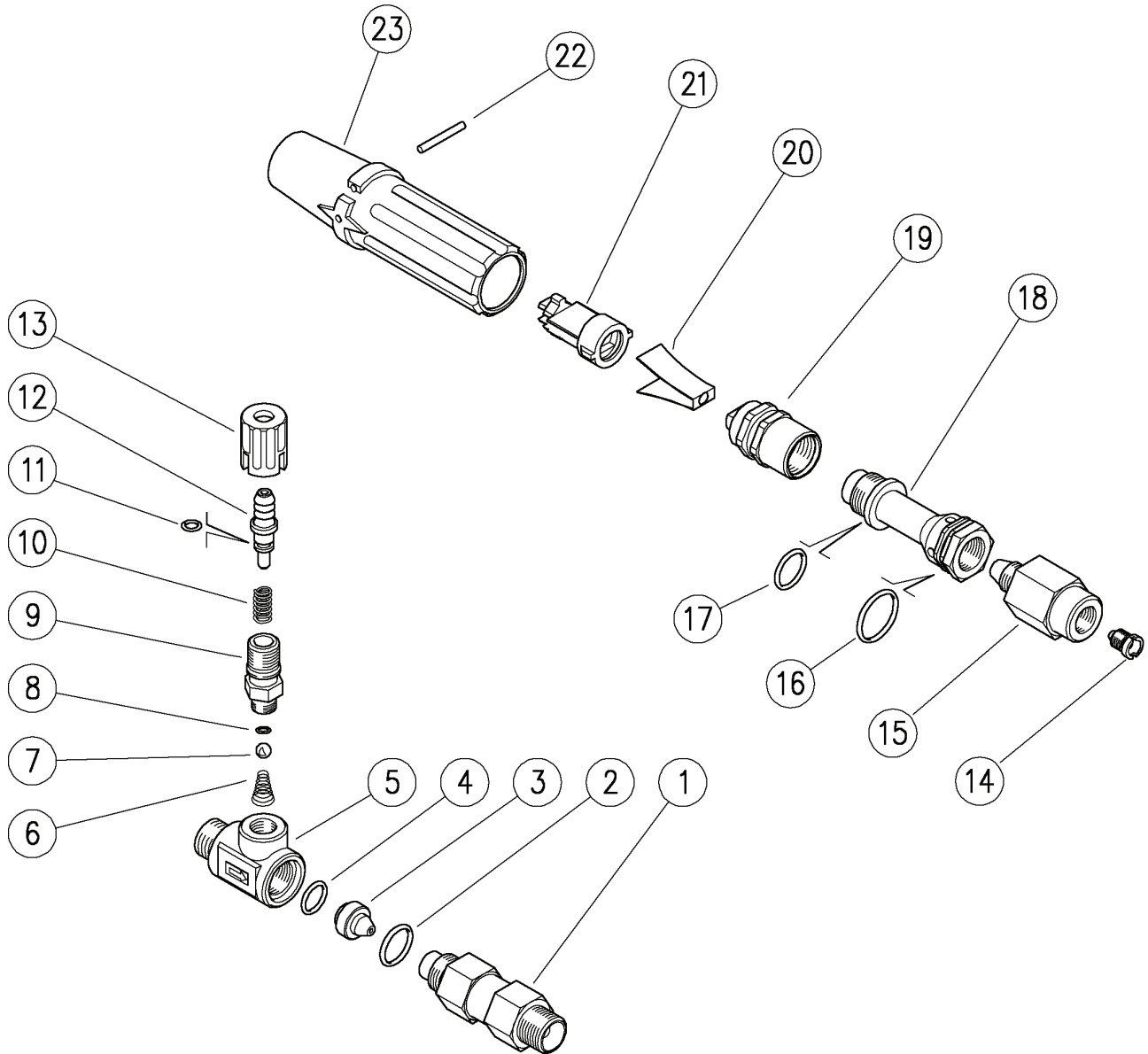
CODICE CODE	UGELLO – NOZZLE mm. [inch.]
25.1532.18	1.8 [0.07"]



CODICE CODE	UGELLO – NOZZLE mm. [inch.]
21.0600.12	1.2 [0.047"]



25.1530.18 LS3 foamer extern. intake 1,8+inject. 1,2



Pos.	P/N	Description	Q.ty	K1	K2	K3	K4	Pos.	P/N	Description	Q.ty	K1	K2	K3	K4
1	21.0602.31R	Tapered coupling, 3/8MM Bsp	1				3	13	21.0171.84R	Inject.knob, 1/4F Bsp black	1				10
2	10.3179.10R	O-ring, 2,62x13,94 mm Vi 70	1				10	14	21.0212.51R	Nozzle, M8x1 - 1,8 mm Sst.	1				10
3	21.0507.51R	Inject.nozzle, D.15 - 1,2 mm Sst.	1				5	15	25.1531.31R	Injector body	1				3
4	10.3174.10R	O-ring, 2,62x9,93 mm Vi 70	1				10	16	10.3072.50R	O-ring, 1,78x21,95 mm	1				10
5	21.0601.35R	Inject.housing, 3/8MF Bsp brass	1				3	17	10.3066.00R	O-ring, 1,78x15,6 mm	1				10
6	21.0160.51R	Tapered spring, Sst. -inject.	1				10	18	25.1521.31R	Front injector housing	1				3
7	14.7420.01R	Ball, 7/32" Sst. Aisi 316	1				10	19	25.1522.31R	Injector housing	1				3
8	10.3049.00R	O-ring, 1,78x5,28 mm Vi 70	1				10	20	25.1020.53R	Sst deflector	1				10
9	21.0173.31R	Coupling, M12x1-1/4M Bsp brass	1				10	21	25.0952.84R	Deflector housing	1				10
10	21.0158.51R	Spring, 0,8x7x15 mm Sst.	1				10	22	15.1041.00R	Parallel pin, 3x25 mm Sst.	1				10
11	10.3043.01R	O-ring, 1,78x4,48 mm Vi 70	1				10	23	25.1018.84R	Nozzle knob, black	1				10
12	21.0155.99R	Hose barb, d.8 mm brass+o-ring	1				5								