



**E**QUIPAGGIAMENTI  
**T**ECNICI  
**L**AVAGGIO

**30.6225.00**  
**RB 35 - Sistema on-off**  
**RB 35 - on-off device**



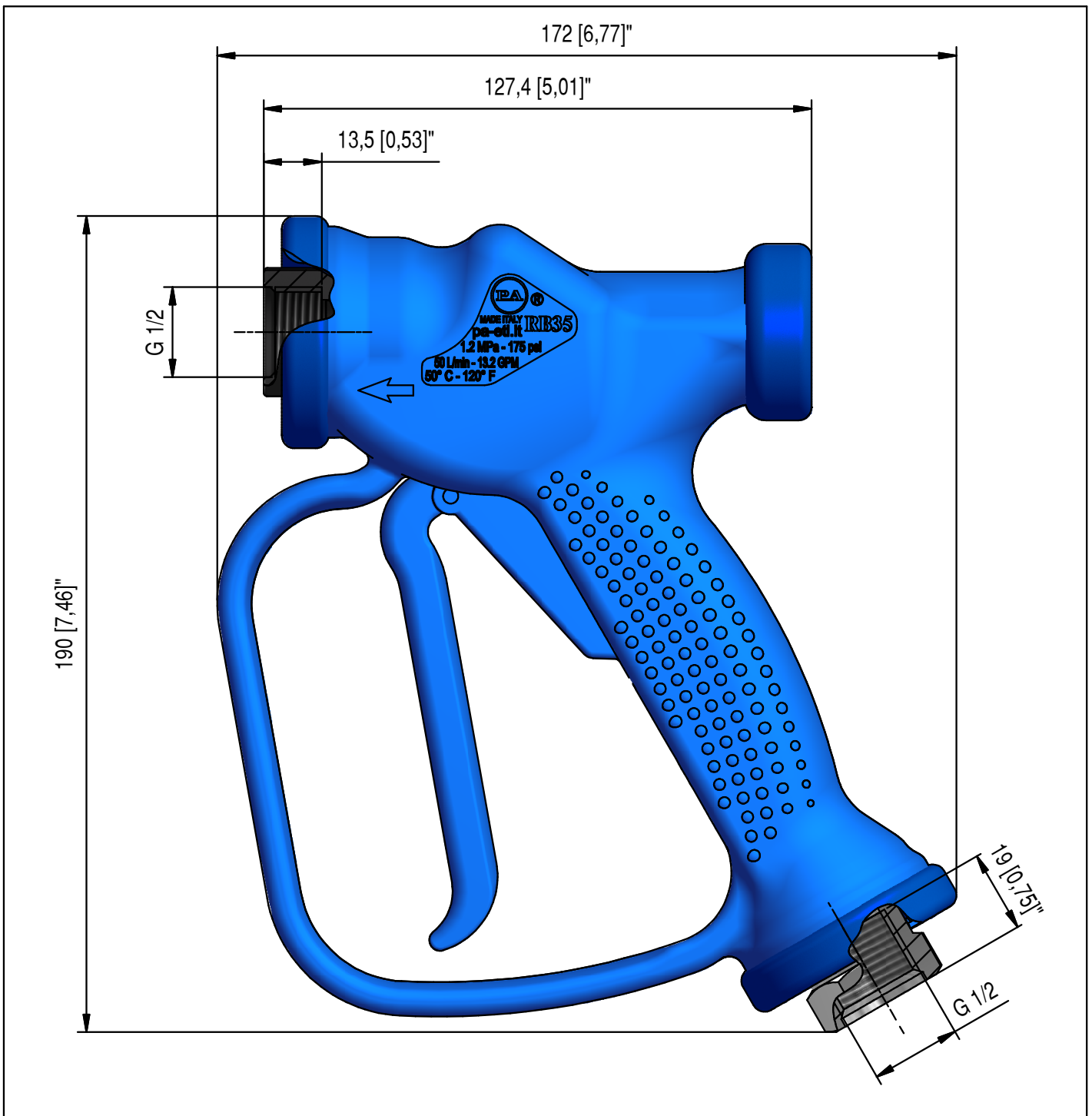
**2**

25/06/12

## CARATTERISTICHE TECNICHE - SPECIFICATIONS

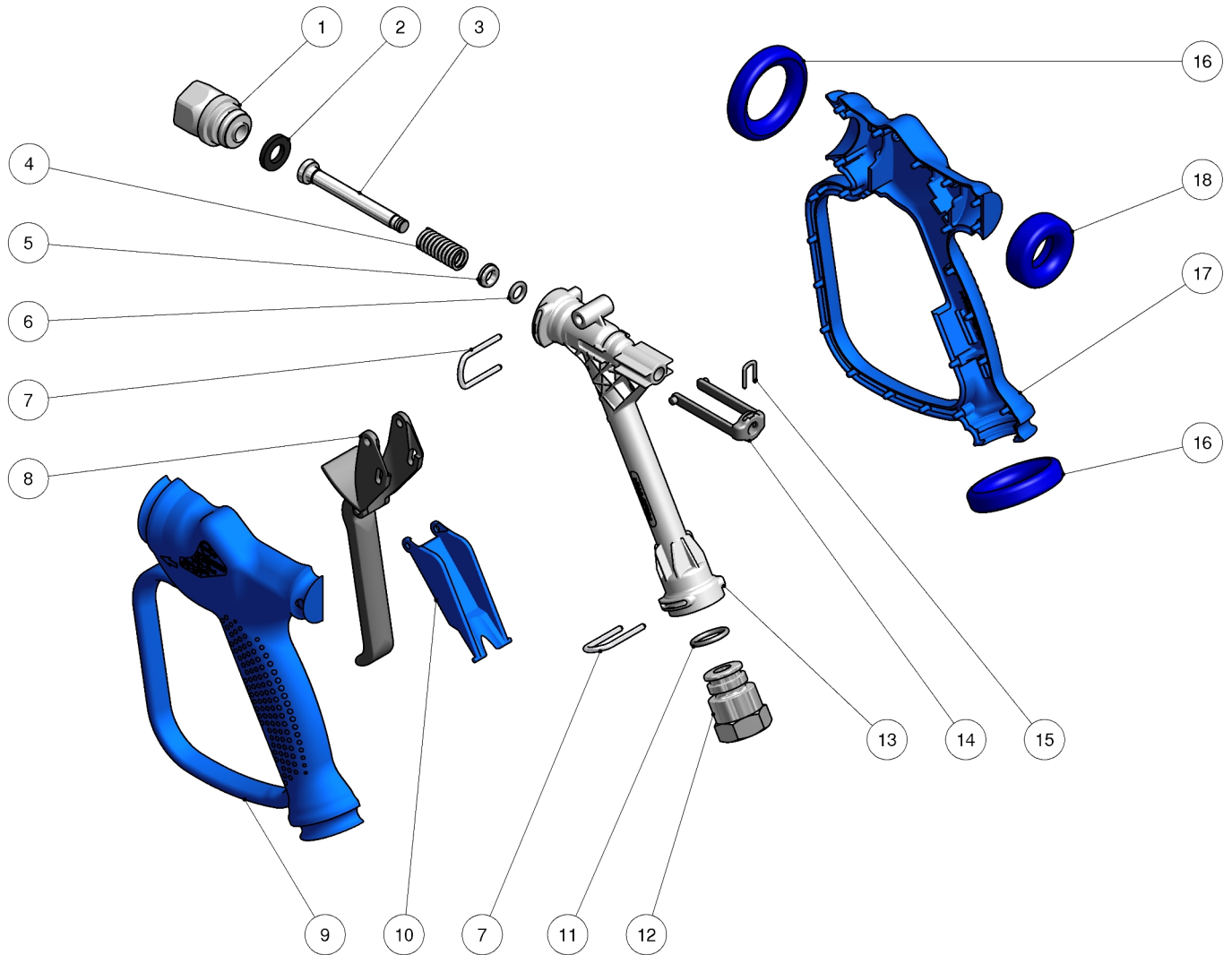
- PRESSIONE NOMINALE RATED PRESSURE	12 bar - 1.2 MPa (175 psi)
- PORTATA MASSIMA MAX FLOW RATE	50 l/min (13.2 USG p.m.)
- TEMPERATURA MASSIMA MAX WORKING TEMPERATURE	50° C (120° F)
- MATERIALI E GUARNIZIONI MATERIAL - SEALS MATERIAL	PP+GF - INOX AISI303 - VITON

## MISURE D'INGOMBRO - OVERALL DIMENSIONS



30.6225.00 RB 35 -G1/2F x2 low press. gun +sst.parts

30.6260.00 RB35 sp.gun, on/off, 1/2FF -50l/min



Pos.	P/N	Description	Q.ty	K1	K2	K3	K4		Pos.	P/N	Description	Q.ty	K1	K2	K3	K4	
1	30.6261.84R	Front nozzle -RB35, 1/2 Bsp F	1					3	9	30.6257.24	Casing-kit - "80° C" RB35 (1)	1					3
1	30.6226.84R	Front nozzle -RB35, 1/2 Bsp F- PP (1)	1					5	9	30.6219.24	Casing-kit -"50° C" RB35	1					1
2	30.6207.85R	Front seal, 11x20,5x3 mm Epdm	1					10	10	30.6213.84R	Lid, RB35 PA blue	1					3
2	30.6408.85R	Front seal, 11x20,5x3 mm FKM80 (1)	1					10	11	10.3181.88R	O-Ring, 2,62x17,12 mm Epdm	1					10
3	30.6262.51R	Piston -RB35, aisi303 Sst.-on-off	1					3	11	10.3181.53R	O-Ring, 2,62x17,2 mm (1)	1					10
4	30.6410.60R	Spring, 1,8x12,8x40 mm aisi316 Sst.	1					5	12	30.6214.51R	Coupl.,-1/2F Bsp aisi303 Sst.	1					3
5	30.6209.51R	Sst seal piston ring	1					5	13	30.6252.84R	Housing -RB35-80°C	1					10
6	10.3170.18R	O-ring, 2,62x7,6 mm Epdm	1					10	13	30.6208.84R	Housing -RB35-50°C (1)	1					10
6	10.3170.10R	O-ring, 2,62x7,6 mm Vi 70 (1)	1					10	14	30.6210.84R	Connecting rod, blue	1					3
7	30.6206.51R	U-bolt, Sst. d.3mm	2					10	15	12.0050.27R	U-bolt, Sst. d.2mm	1					10
8	30.6254.84R	Trigger -RB35, PA grey	1					3	16	30.6203.85R	Front guard ring, blue	2					5
8	30.6212.84R	Trigger -RB35, PA blue (1)	1					3	18	30.6204.85R	Back guard ring, blue	1					5

(1) 30.6225.00